

# OPzV Series

## 8 OPzV 800 2V800Ah

Sacred Sun OPzV series are valve regulated lead-acid cells which use a combination of tubular positive plate woven gauntlets, pasted negative plate design and gel electrolyte using advanced filling techniques in production which assure superior service life and excellent battery reliability. The battery has excellent cyclic performance and charge acceptance ability. It can be used in high-low temperature environment and poor grid condition.

### Benefits

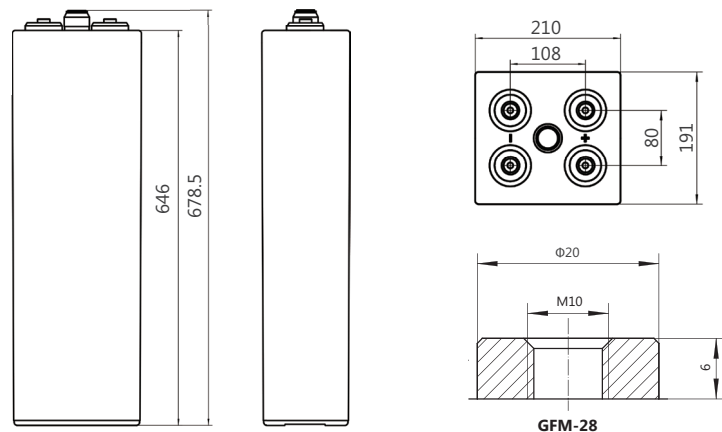
- Very long life according to EUROBAT Classification
- 1500+ cycles at 80% DOD
- High rate discharge performance
- High gas recombination efficiency
- Maximum charge efficiency
- GEL state electrolyte prevents leakage and layering
- Low resistance PVC or PF micro-porous separator ensures low self-discharge rate
- Optional racking offers easy installation (vertical or horizontal)



### Applications

- Telecommunications
- Energy storage system
- Hybrid power system
- Power system
- UPS

### Drawing



### Standards

- IEC 60896-21/22
- IEC 61427
- DIN 43539-T5
- DIN 40742
- EUROBAT guide

### Specifications

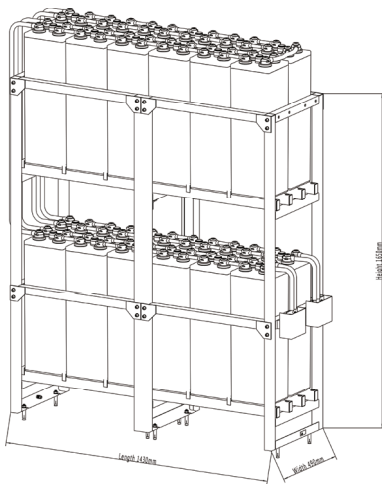
Battery Model	8 OPzV 800			
Design Life (years, 25°C)	20			
Capacity (Ah, 25°C)	10HR (80A, 1.80V)	5HR (136A, 1.80V)	3HR (200A, 1.80V)	1HR (400A, 1.80V)
	800	680	600	400
Dimensions (mm)	Length	Width	Height	Total Height
	191	210	646	678.5
Approx. Weight (kg)	60.8			
Reference Internal Resistance (mΩ)	0.4 (fully charged @ 25°C)			
Maximum Discharge Current (A/3 Sec.)	3548			
Self-Discharge (25°C)	≤ 3% per month			
Charge Voltage (V/cell, 25°C)	Cycle use		Float use	
	2.35 (-3.5mV/°C/cell), max charge current: 160A		2.25 (-3.5mV/°C/cell)	
Short Circuit Current (A)	6141			

## Discharge Data

Constant Current Discharge Data (25°C, A)																		
End Voltage (V/cell)	min					h												
	5	10	15	20	30	1	2	3	5	6	8	10	20	24	48	100	120	240
1.65	1071	964	891	817	672	461	301.3	235.5	162.1	137.3	106.1	90.4	47.3	40.2	21.40	10.37	8.72	4.52
1.70	1025	893	831	771	644	440	285.3	222.9	153.3	129.6	101.9	87.2	46.3	39.6	21.31	10.35	8.68	4.51
1.75	947	843	777	717	624	421	269.3	211.2	145.3	124.8	97.9	84.0	44.0	38.4	21.04	10.32	8.64	4.48
1.80	887	796	729	665	568	400	254.4	200.0	136.0	116.3	94.1	80.0	42.9	35.92	20.80	10.28	8.60	4.45
1.85	823	721	667	604	533	381	241	189.3	130.4	112.3	89.1	75.7	41.7	35.6	20.51	10.20	8.56	4.44

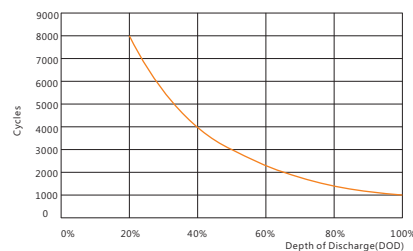
Constant Power Discharge Data (25°C, W/cell)																		
End Voltage (V/cell)	min					h												
	5	10	15	20	30	1	2	3	5	6	8	10	20	24	48	100	120	240
1.65	2074	1910	1651	1535	1333	941.0	647.6	483.8	321.9	272.4	219.0	176.6	93.9	81.00	43.33	20.93	17.47	9.07
1.70	1878	1733	1530	1406	1257	912.4	611.4	461.0	310.5	262.9	211.4	174.5	92.0	79.47	42.67	20.70	17.36	9.02
1.75	1718	1598	1425	1293	1143	893.3	571.4	441.9	302.9	255.2	205.7	168.0	90.7	76.76	42.13	20.65	17.29	8.96
1.80	1587	1448	1284	1175	1027	815.2	544.8	417.1	281.9	238.1	198.1	164.0	89.0	72.20	41.60	20.55	17.20	8.92
1.85	1461	1265	1152	1046	912	741.0	508.6	382.9	257.1	226.7	183.8	154.9	86.1	71.15	41.00	20.44	17.15	8.88

## Rack Layout

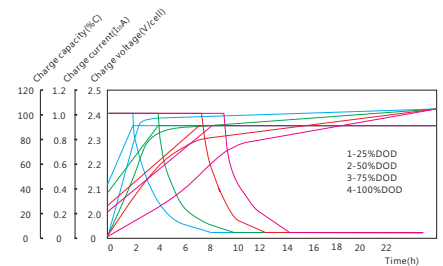


48V Standard Rack  
 Rack material: powder-coated steel  
 Height\*width: 2\*2  
 Ref. 8 OPzV 800 Rack (approx. weight: 1620kg)

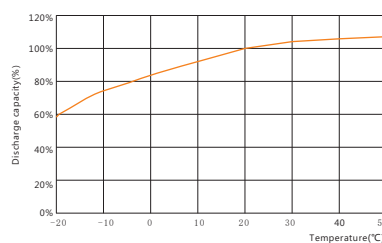
## Performance Curve



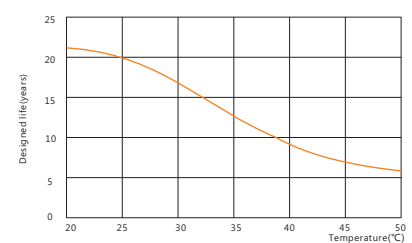
Cycle life vs. discharge depth



Charge vs. discharge depth



Capacity vs. temperature



Design life vs. temperature

### Sacred Sun Power Sources Co., Ltd.

No.1 Shengyang Road Qufu City, PRC  
 sales@sacredsun.cn

### Sacred Sun Asia Pacific

No. 15, Yishun Industrial Street 1,  
 #01-17, WIN5, Singapore 768091  
 sales.asia@sacredsun.cn

### Sacred Sun Europe SPRL

Schoenstraat 96-9140 Temse, Belgium  
 sales.eu@sacredsun.cn

### Sacred Sun MEA FZE

S10122A1019 Jebel Ali, Dubai,  
 United Arab Emirates  
 sales.mea@sacredsun.cn

